

MAGIS

Central by Ronan & Erwan Bouroullec



Ronan & Erwan Bouroullec



Profile:

Ronan Bouroullec (born in 1971) and Erwan Bouroullec (born in 1976) have been working together for more than twenty years now. Their collaboration is a permanent dialogue, nourished by their distinct personalities and a shared notion of diligence, with the intention to achieve greater balance and refinement.

In 1997, they presented their Disintegrated Kitchen at the Salon du Meuble in Paris, where it was spotted by Giulio Cappellini, who gave them their first industrial design commissions. The Bouroullecs have been working with Magis since 2004, designing three complete furniture collections – Striped, Steelwood and Officina – as well as additional projects such as Pila chair, Pilo table, Central and Tambour tables. These days, Ronan and Erwan Bouroullec design for numerous manufacturers, including Magis, Vitra, Kvadrat, Kartell, Established and Sons, Ligne Roset, Axor, Alessi, Issey Miyake, Cappellini, Mattiazzi, Flos, Mutina,

Hay and more recently Glas Italia and Iittala. They also continue to carry out their own experimental activity which is essential to the development of their work at Galerie kreò, Paris, where four exhibitions of their designs were held between 2001 and 2012. They also embark on occasional architectural projects.

Voted Designers of the Year at the Salon du Meuble in 2002, their other awards include the Compasso d'Oro won in 2011 for the Steelwood chair they designed for Magis. Several exhibitions have been devoted to their work.

In 2012, Phaidon Press published *Works*, a comprehensive monographic book about Ronan and Erwan Bouroullec. Previously, two other monographs had been published about the Bouroullec brothers' design work: *Ronan et Erwan Bouroullec – Catalogue de Raison* (Paris: Images Modernes / kreò, 2002) and *Ronan et Erwan Bouroullec* (Paris: Phaidon Press, 2003).



Design and

Central is a round bistro-like table for a daily use. This project has been thought to be as straightforward as possible.

The idea was to design a table that can coexist in a variety of indoor and outdoor environments, for residential use or be set in numbers at the terrace of an old café in Paris thanks to its small size.

While designing Central, the objective was to propose a simple, delicate table yet strong and durable. Indeed, the material has been thought to improve with time and use.

Finally, the easy folding system and the all aluminium structure make Central functional and pleasing to the eye.



Engineering



“The idea was to design a table that can coexist in a



variety of environments thanks to its small size”



Information



Product

Frame in die-cast aluminium polished or painted in polyester powder (black or white). Top in polished aluminium or in HPL (black or white). Versions for outdoor use available.



TABLE W/ FOLDING TOP

Ø 60



Frame /	Top /
Polished	Polished aluminium
White 5108	HPL white 8500
Black 5140	HPL black 8510

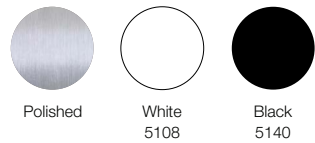
55x55



Frame /	Top /
White 5108	HPL white 8500
Black 5140	HPL black 8510

Materials /

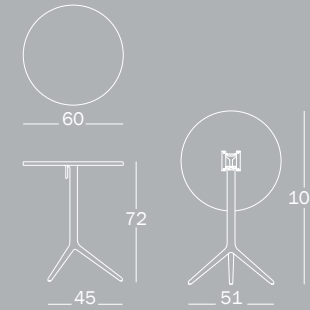
Frame in aluminium /



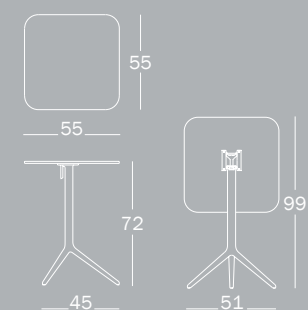
Top /



Ø 60



55x55



shows that the product is suitable for outdoor use with regular care and maintenance

shows that the product is suitable for covered outdoor area

PRODUCT CARE

We recommend using a soft rag, either dry or wet. When needed, use ph-balanced soap diluted in water. Do not use abrasive sponges as they may leave scratches. Immediately dry after washing with a soft rag or chamois leather. Never leave water or other liquids to stagnate on the product. Avoid contact with all acidic substances. Small marks or irregularities, which might be visible on the surface of the polished frame, should not be considered as faults, but on the contrary, as technical results of the nature of natural aluminium and its brushing and polishing by hand. Aluminium is very likely to dull while using. Regular care is therefore necessary to maintain its original appearance. We recommend using specific cleaning products for aluminium.

WARNING

Do not use different cleaning products from the ones mentioned above. Do not use the product in an improper way. Do not place hot objects on it, stand on it or use the product as a ladder. Once disused, please make sure that this item is disposed of in an environmentally-friendly way.



